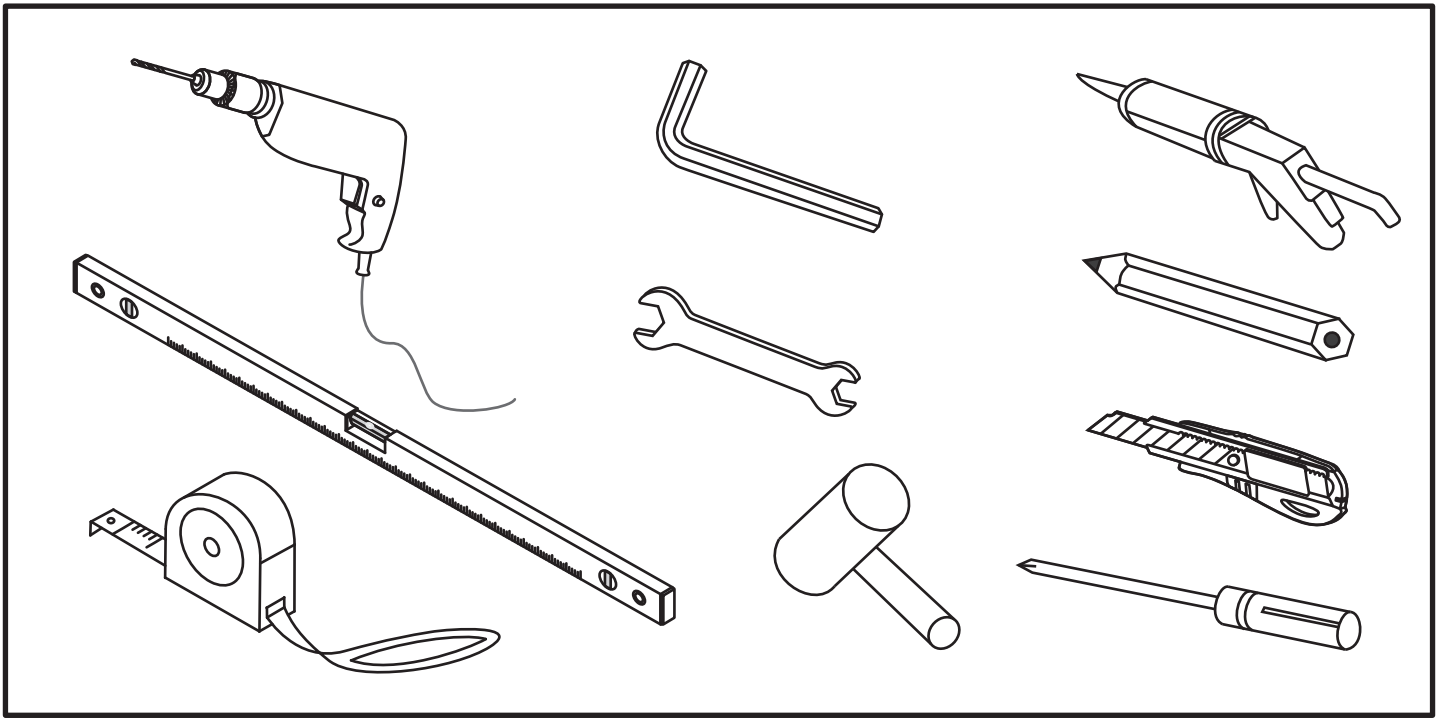
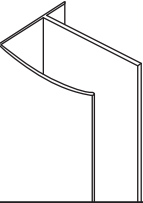


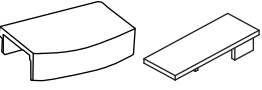
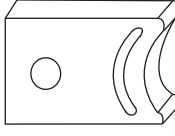
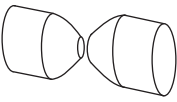
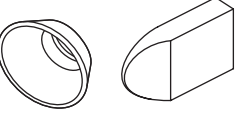
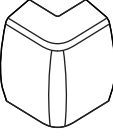
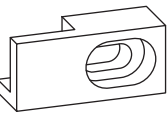
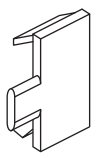
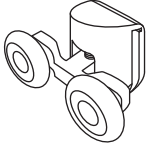
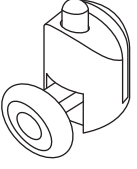
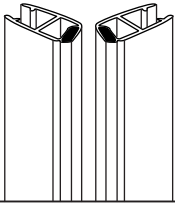
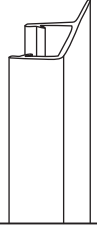
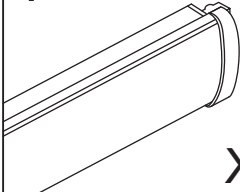

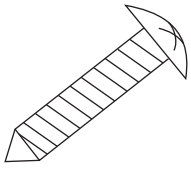
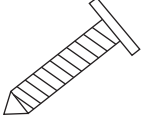
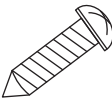
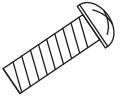
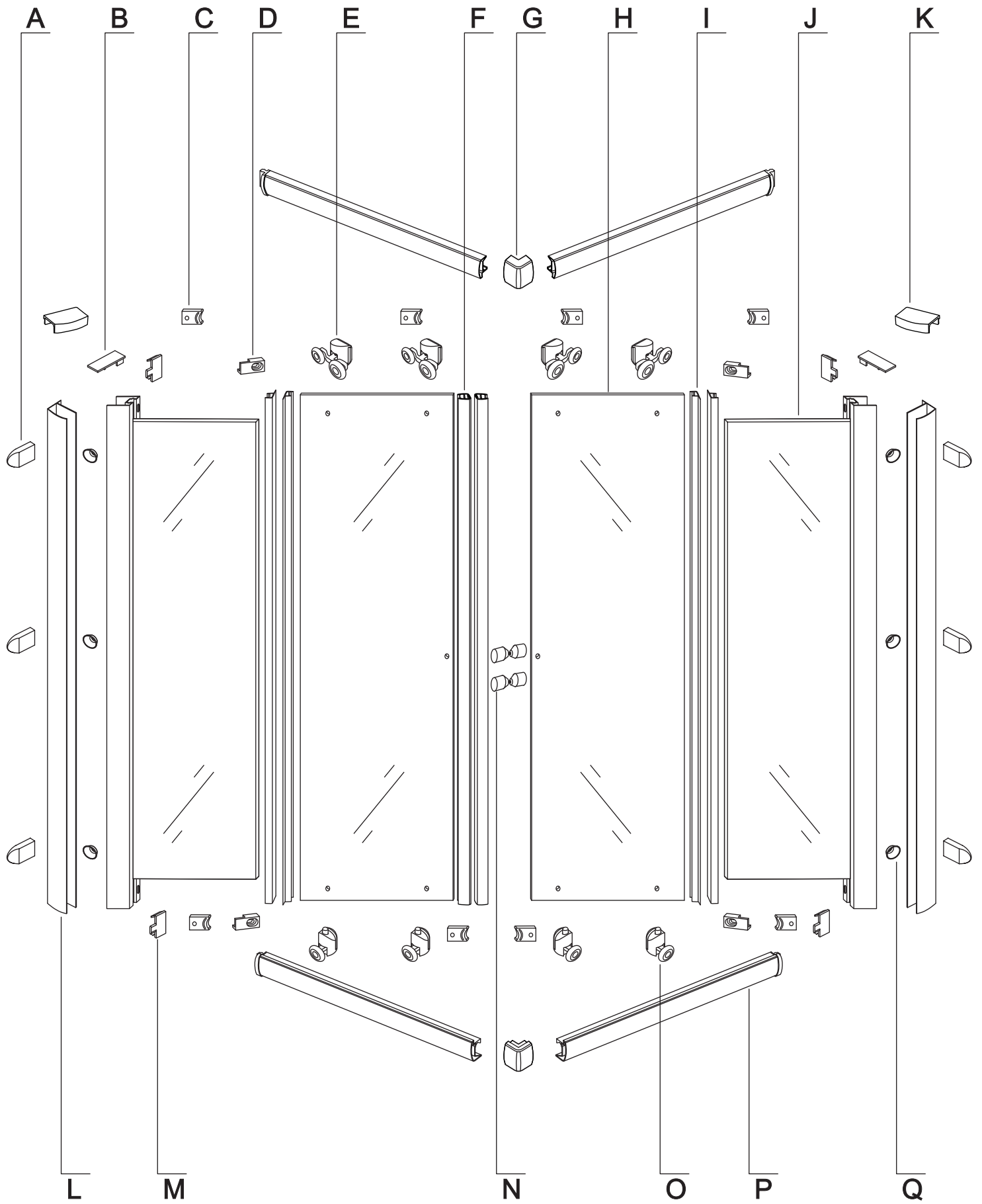


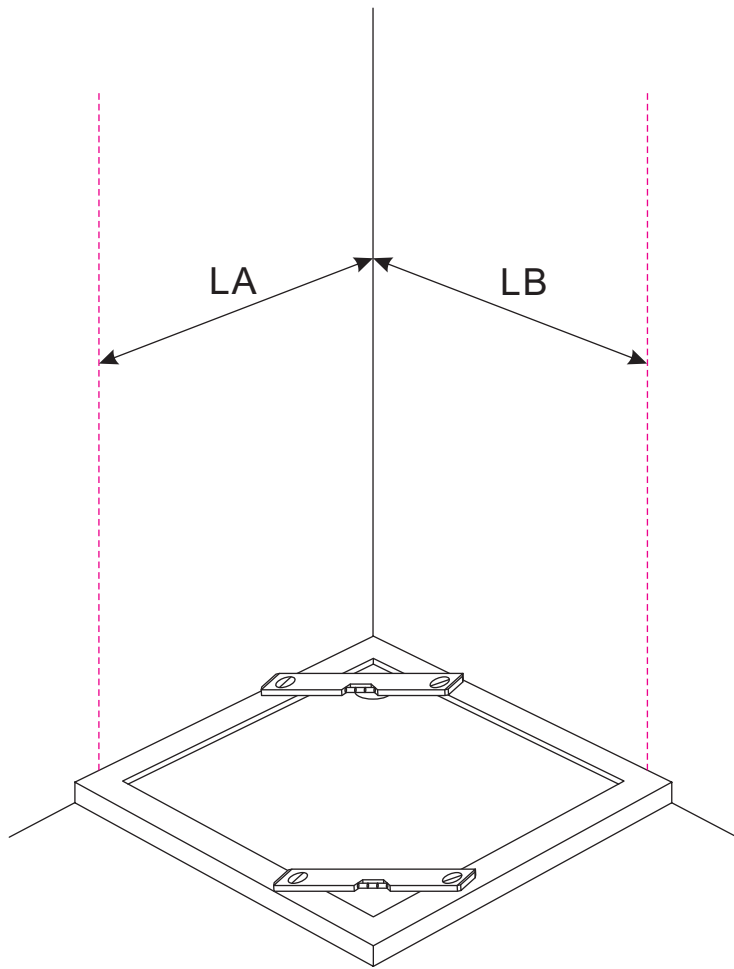
MODEL 534



<p>L</p>  <p>X2</p>	<p>J</p>  <p>X2</p>	<p>H</p>  <p>X2</p>	<p>K B</p>  <p>X2</p>
<p>C</p>  <p>X8</p>	<p>N</p>  <p>X2</p>	<p>Q A</p>  <p>X6</p>	<p>G</p>  <p>X2</p>
<p>D</p>  <p>X4</p>	<p>M</p>  <p>X4</p>	<p>E</p>  <p>X4</p>	<p>O</p>  <p>X4</p>
<p>F</p>  <p>X1</p>	<p>I</p>  <p>X4</p>	<p>P</p>  <p>X4</p>	 <p>X6</p>
 <p>4X30 X6</p>	 <p>4X12 X6</p>	 <p>4X10 X12</p>	 <p>4X10 X4</p>



1



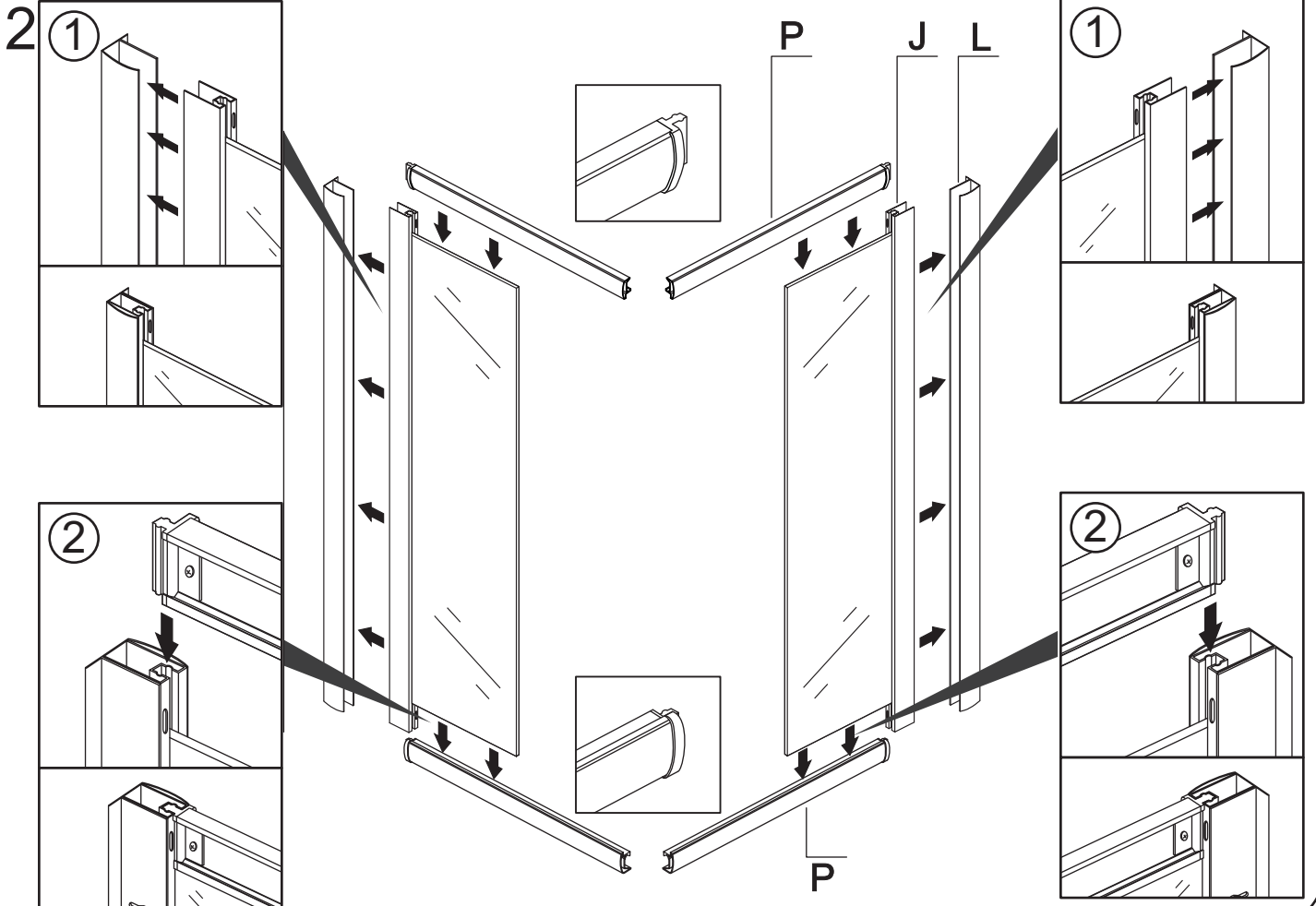
"Die Maßangaben gelten von Wand bis Mitte Bohrloch."

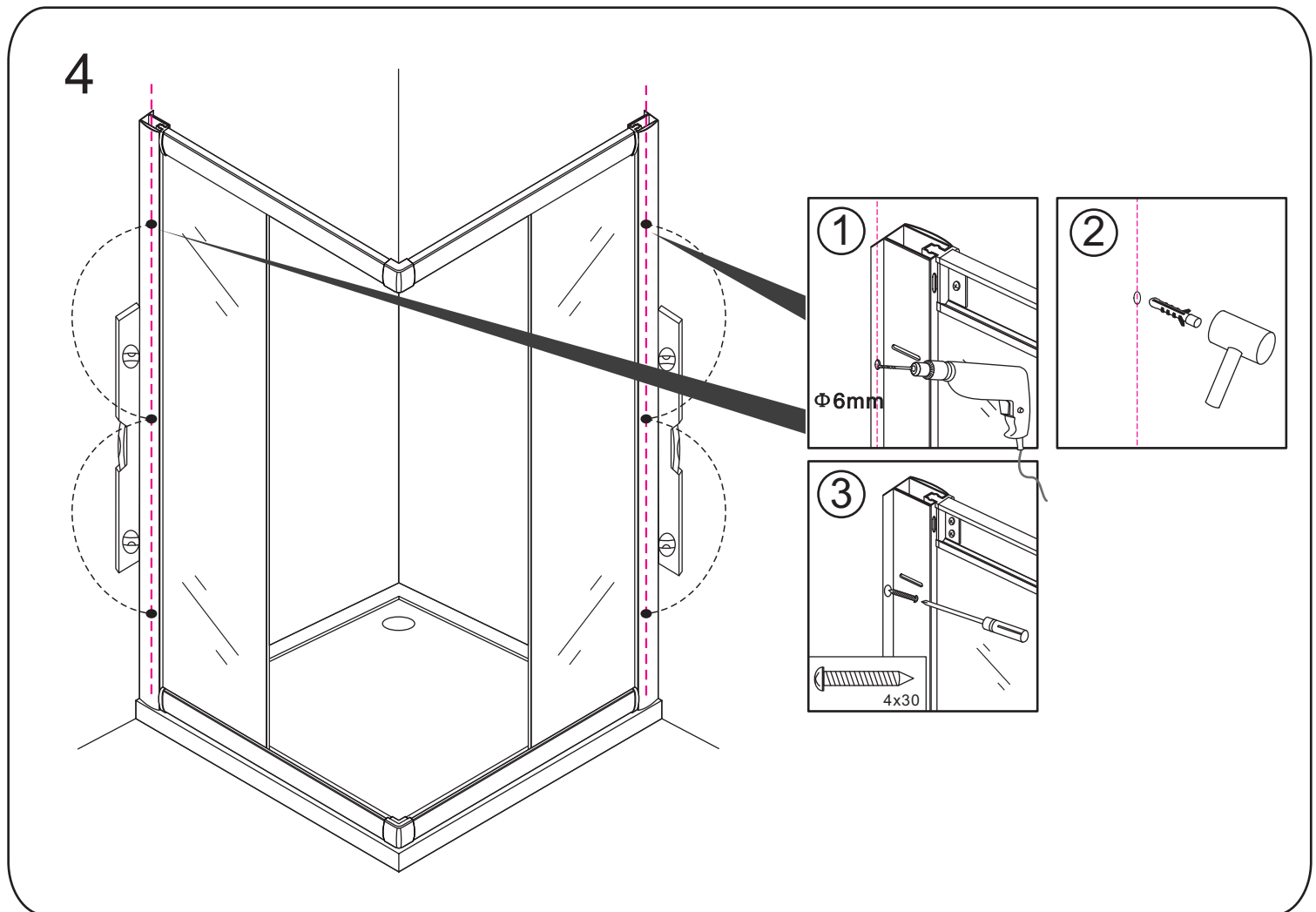
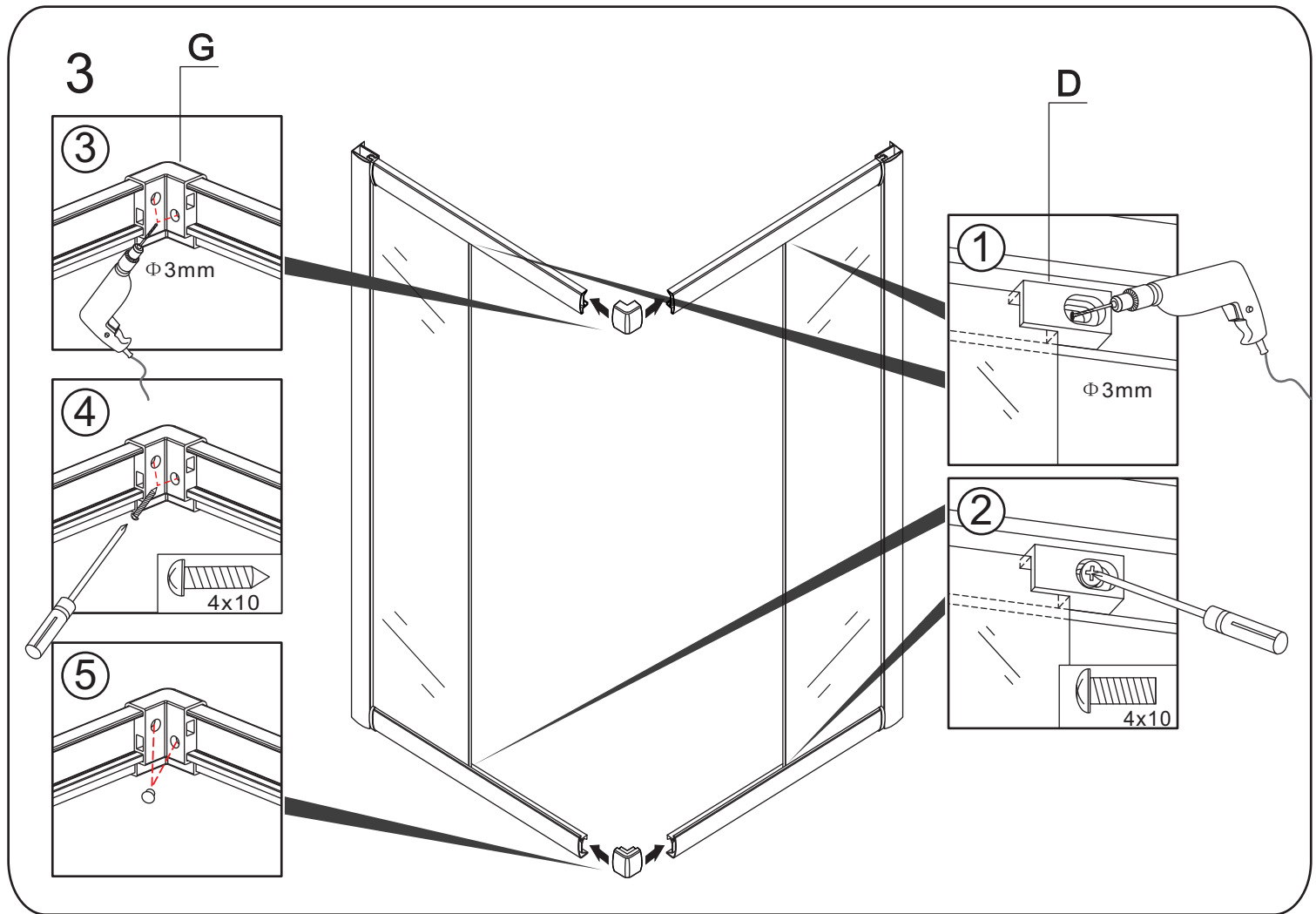
LA

800x800---755mm
900x900---855mm
1000x1000---955mm

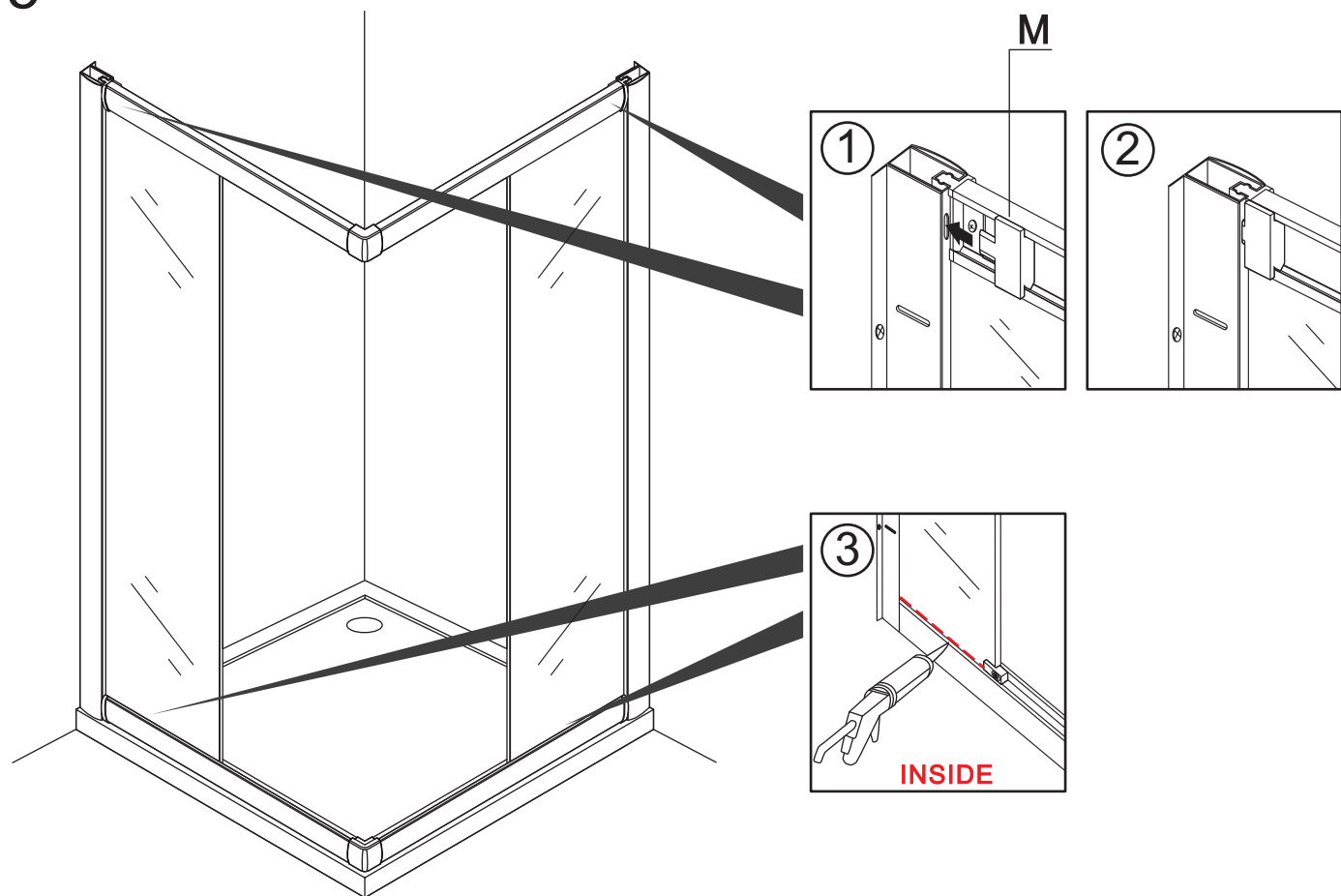
LB

800x800---755mm
900x900---855mm
1000x1000---955mm

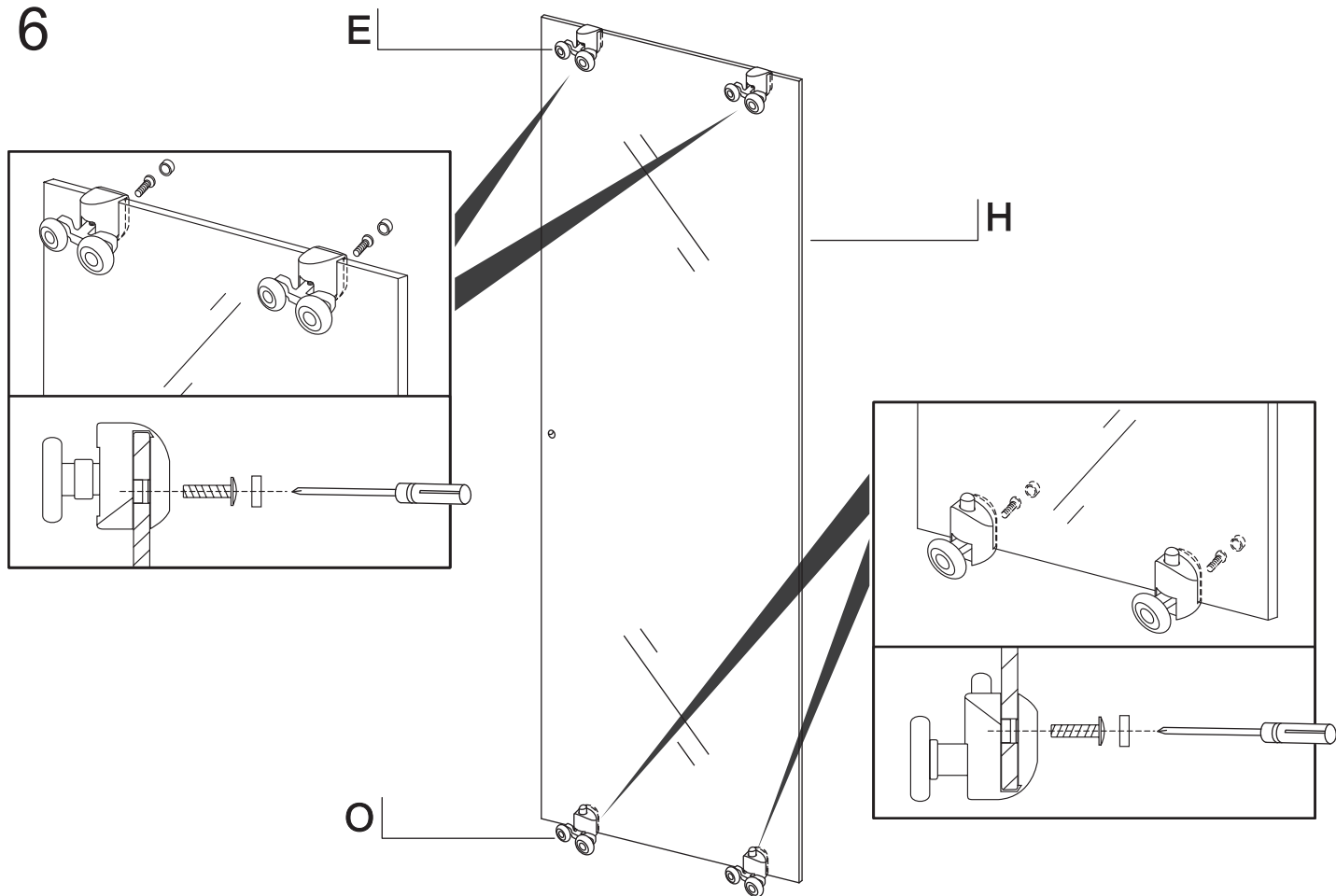




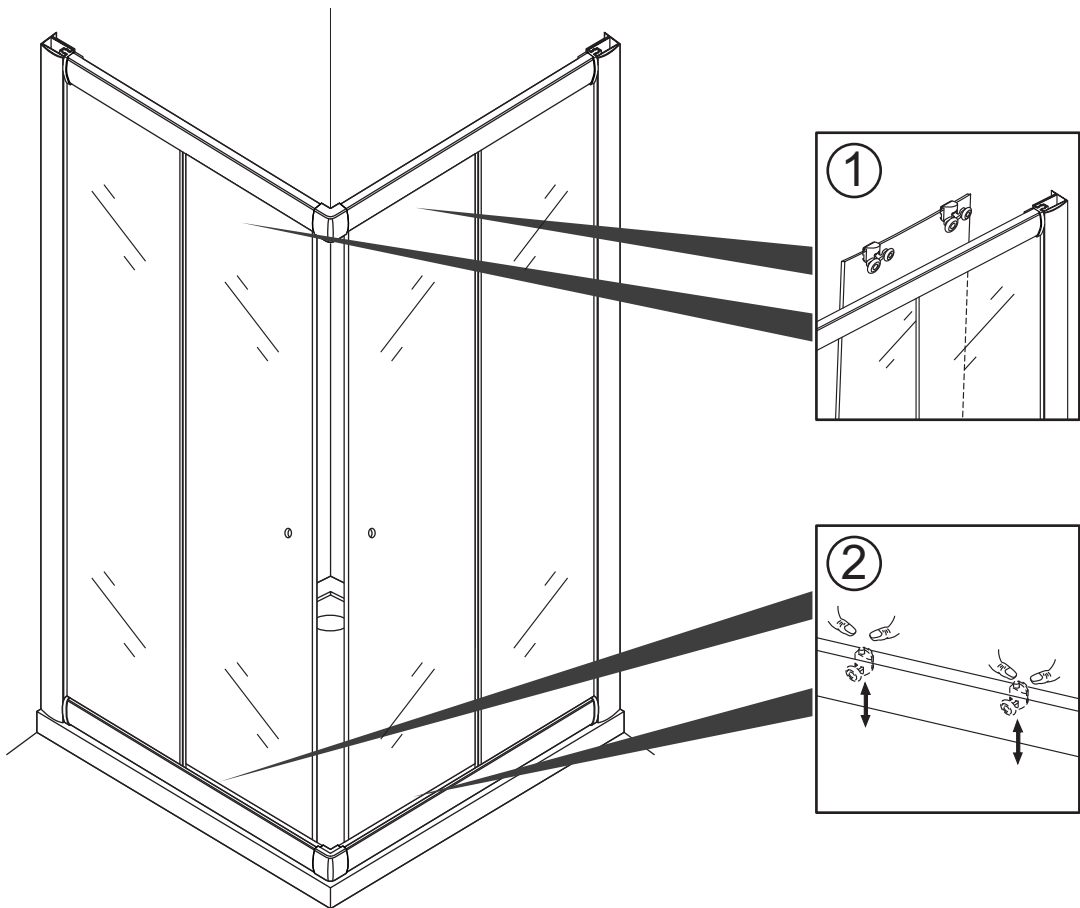
5



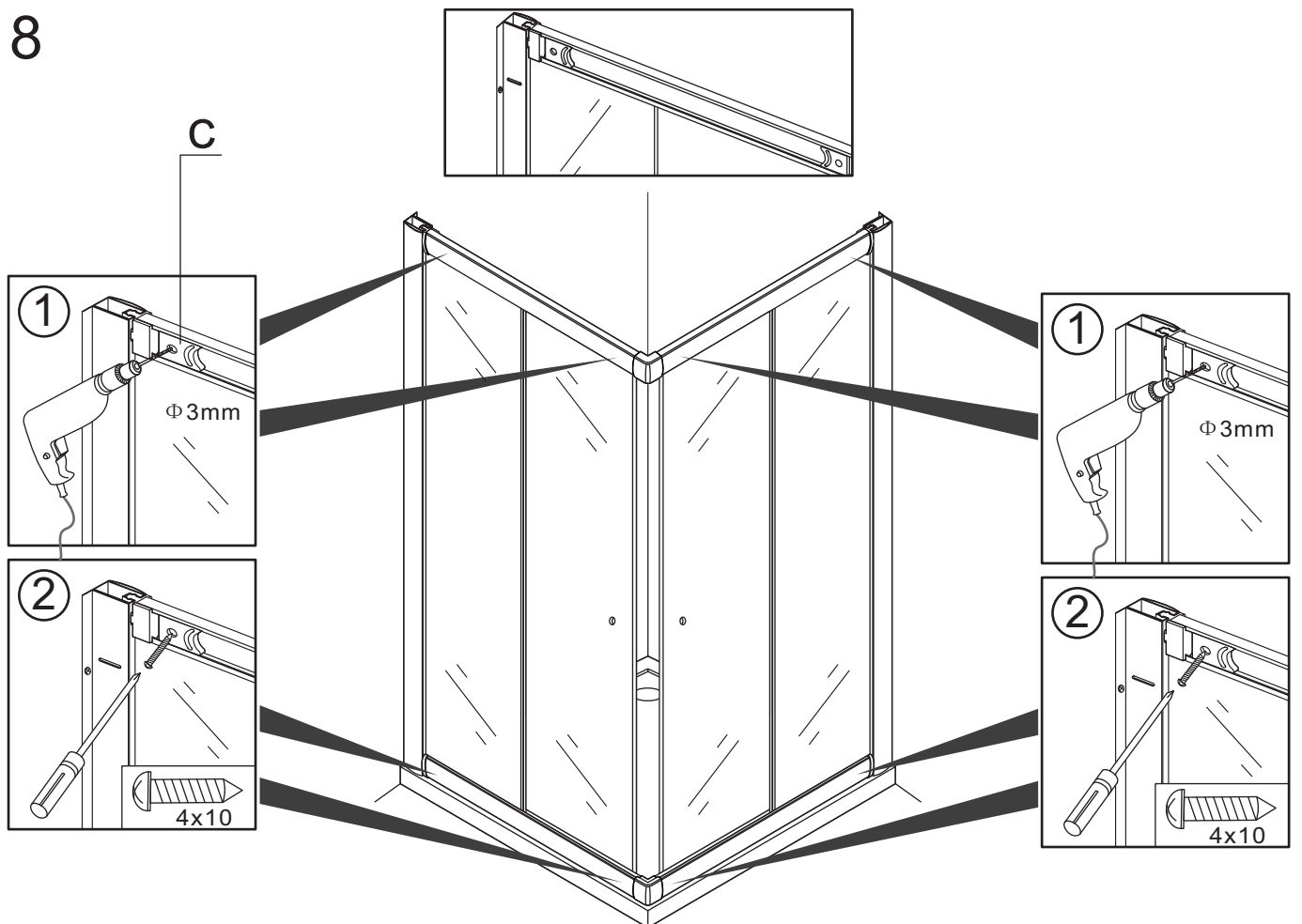
6



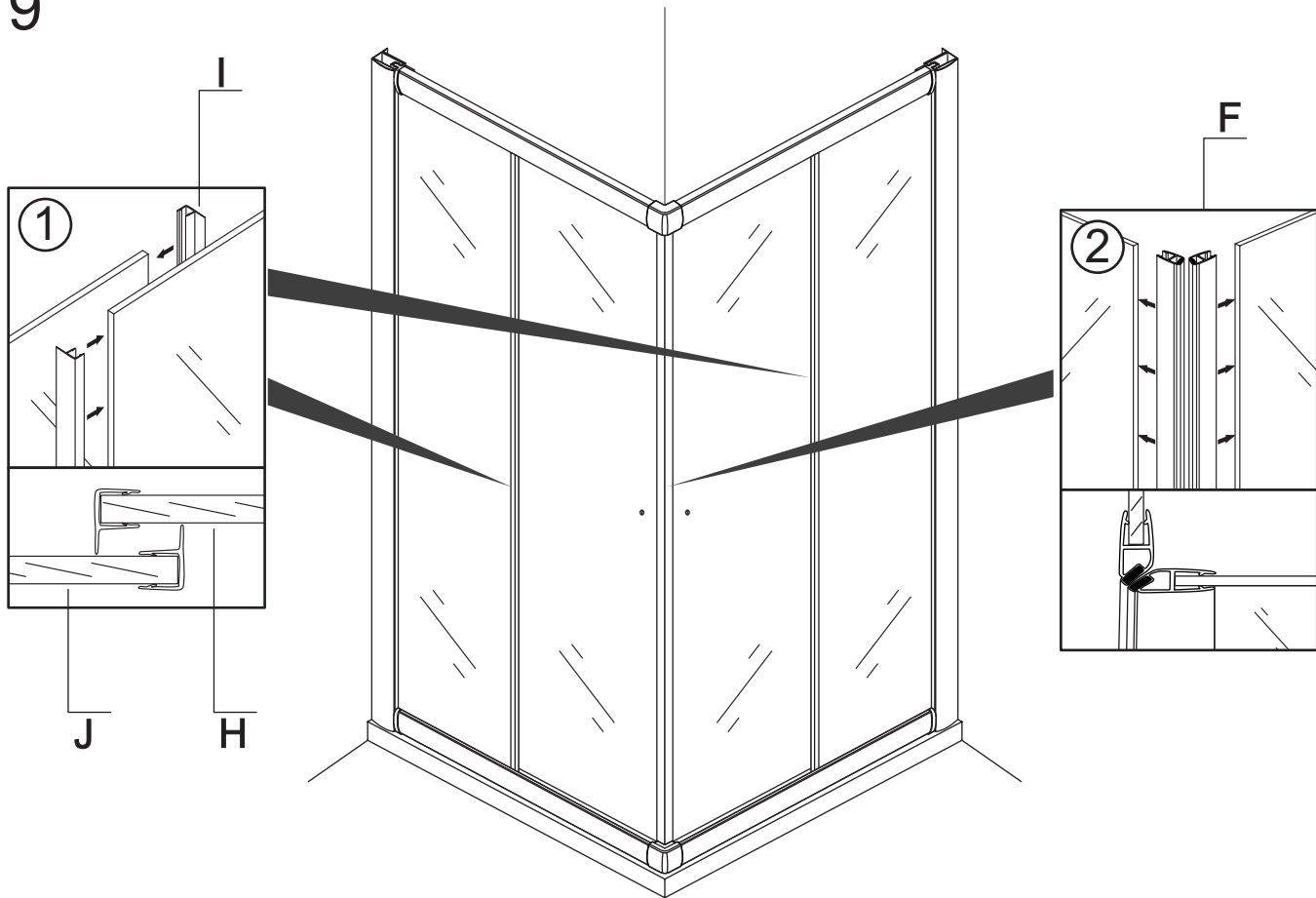
7



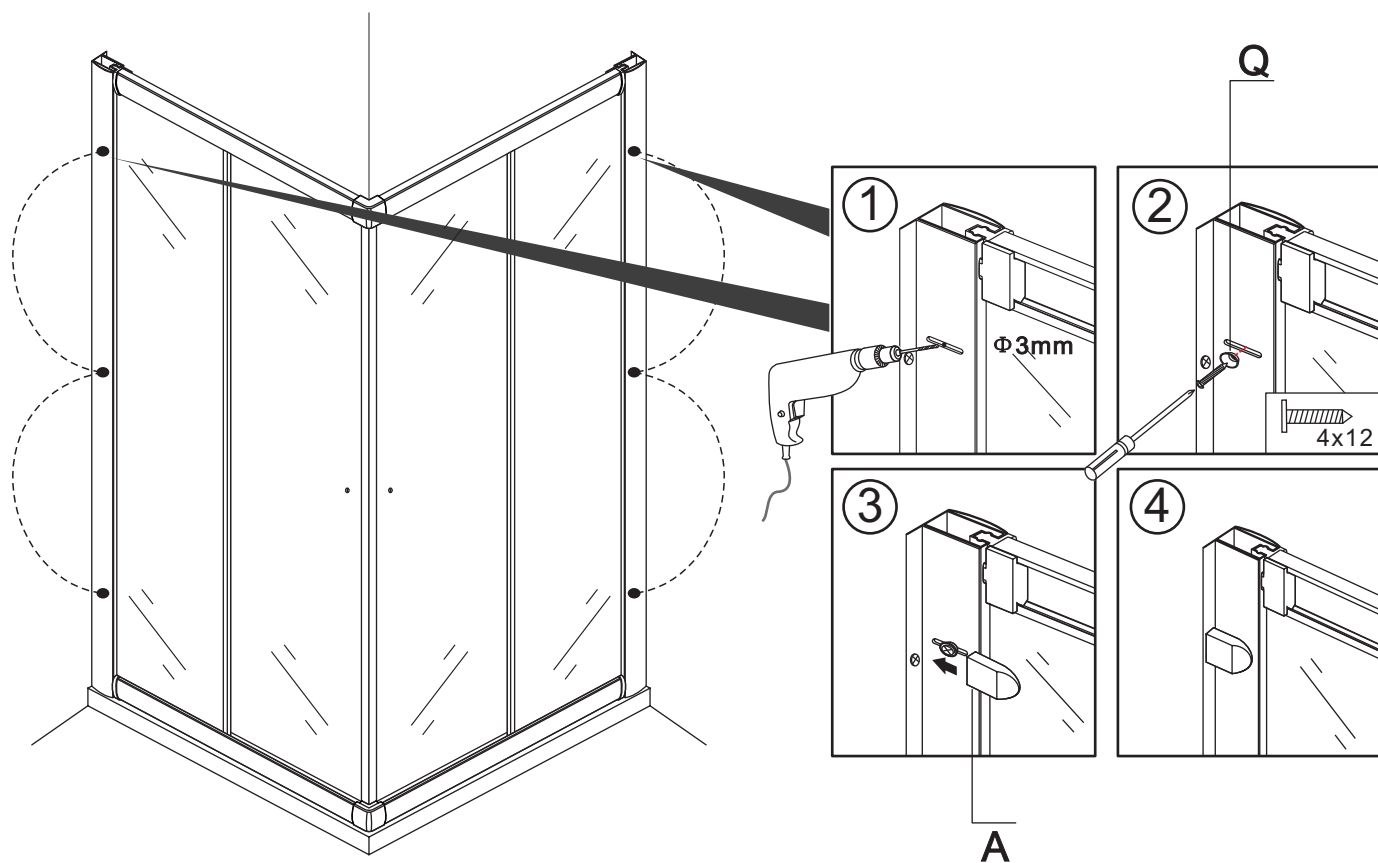
8



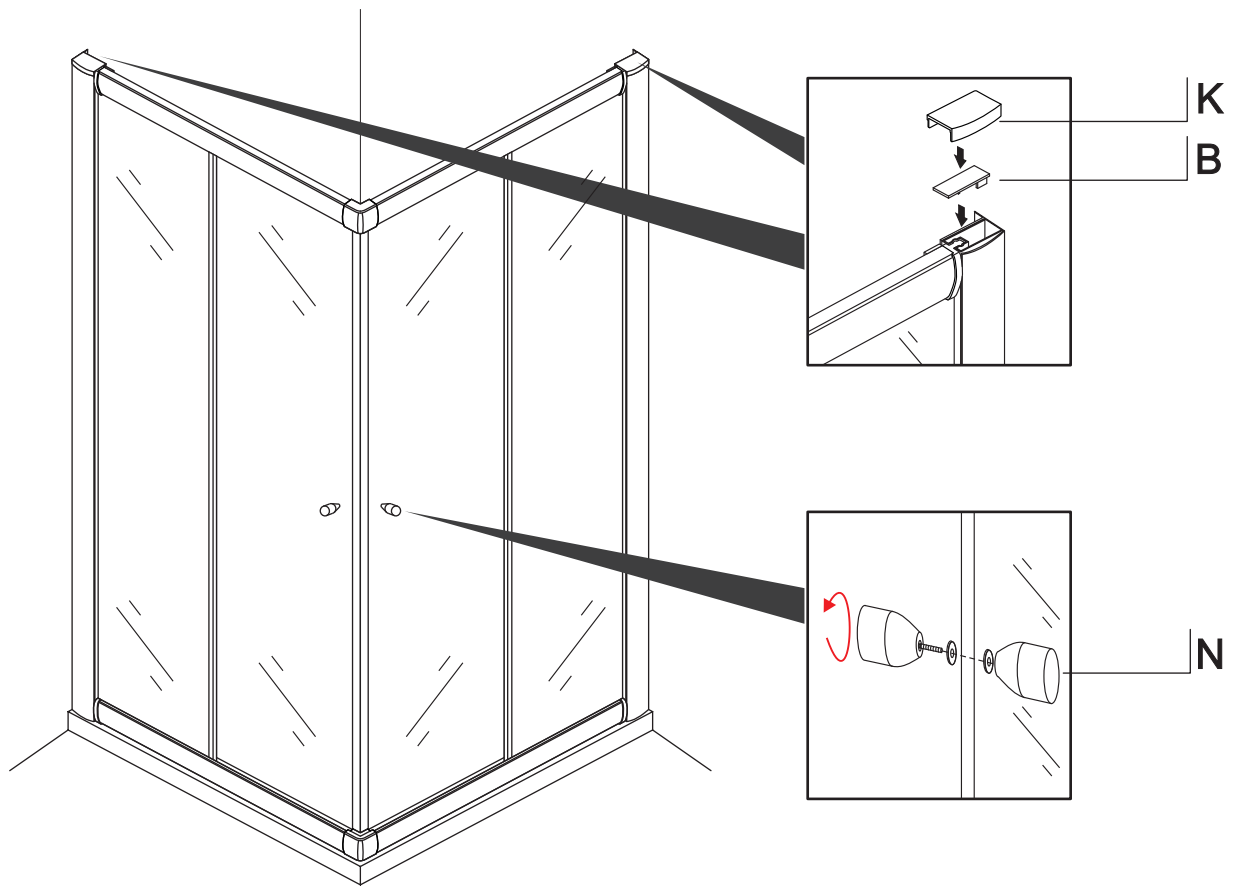
9



10



11



12

