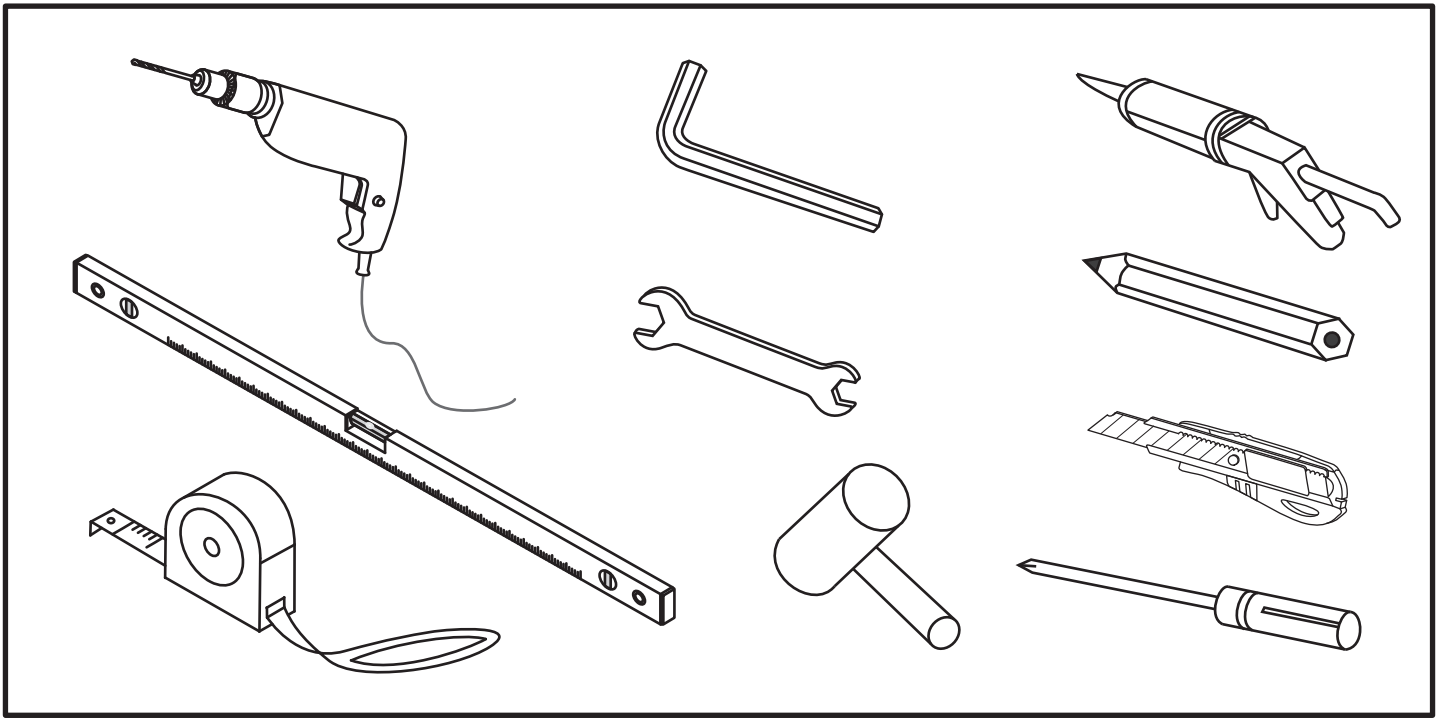
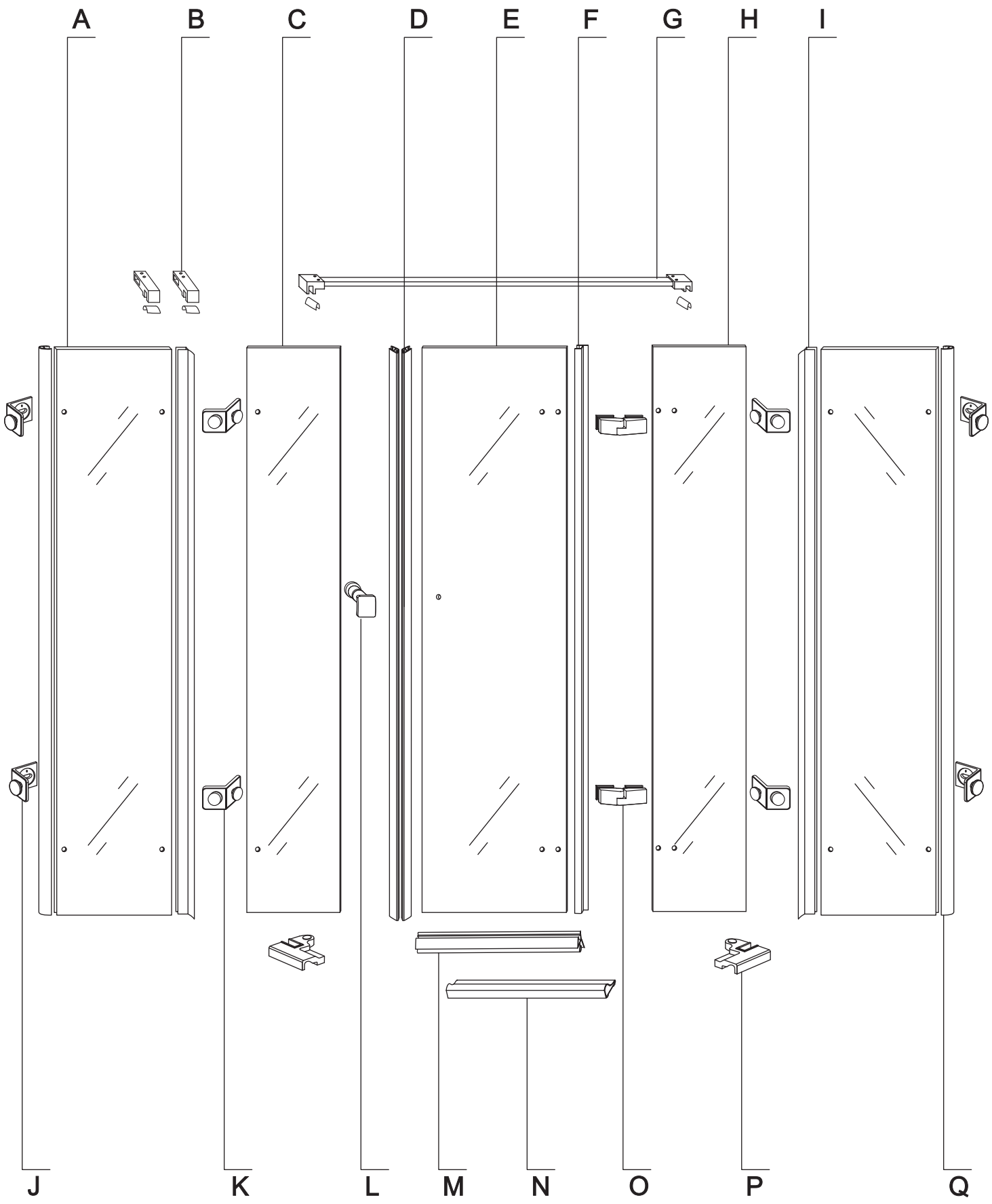


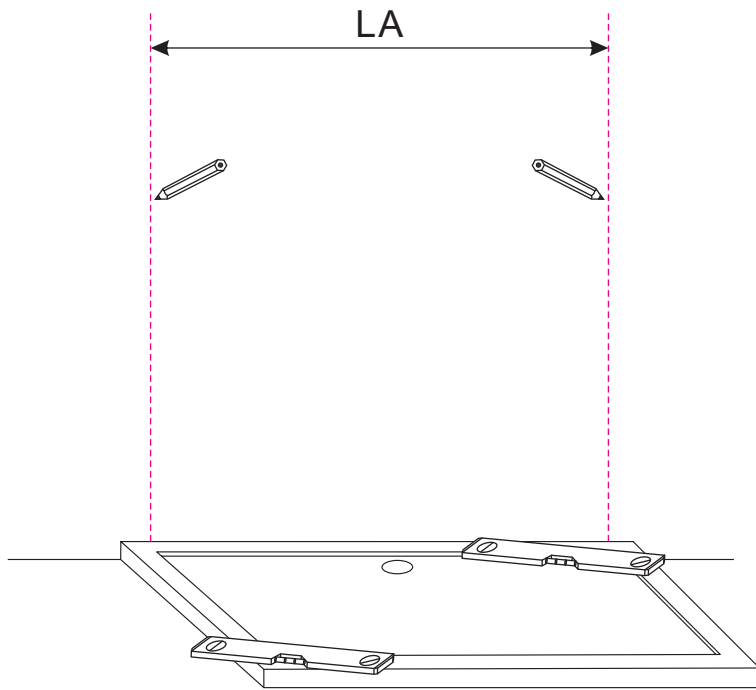
Model 1003



| | | | |
|---------------------------|---------------------------|------------------------------|------------------------------|
| <p>A</p> <p>X2</p> | <p>C</p> <p>X1</p> | <p>E</p> <p>X1</p> | <p>H</p> <p>X1</p> |
| <p>L</p> <p>X1</p> | <p>O</p> <p>X2</p> | <p>J</p> <p>X4</p> | <p>K</p> <p>X4</p> |
| <p>Q</p> <p>X2</p> | <p>M</p> <p>X1</p> | <p>N</p> <p>X1</p> | <p>F</p> <p>X1</p> |
| <p>I</p> <p>X2</p> | <p>G</p> <p>X1</p> | <p>B</p> <p>X2</p> | <p>P</p> <p>X1</p> |
| <p>D</p> <p>X1</p> | <p>X</p> <p>X4</p> | <p>5X38</p> <p>X4</p> | <p>4X16</p> <p>X2</p> |



1

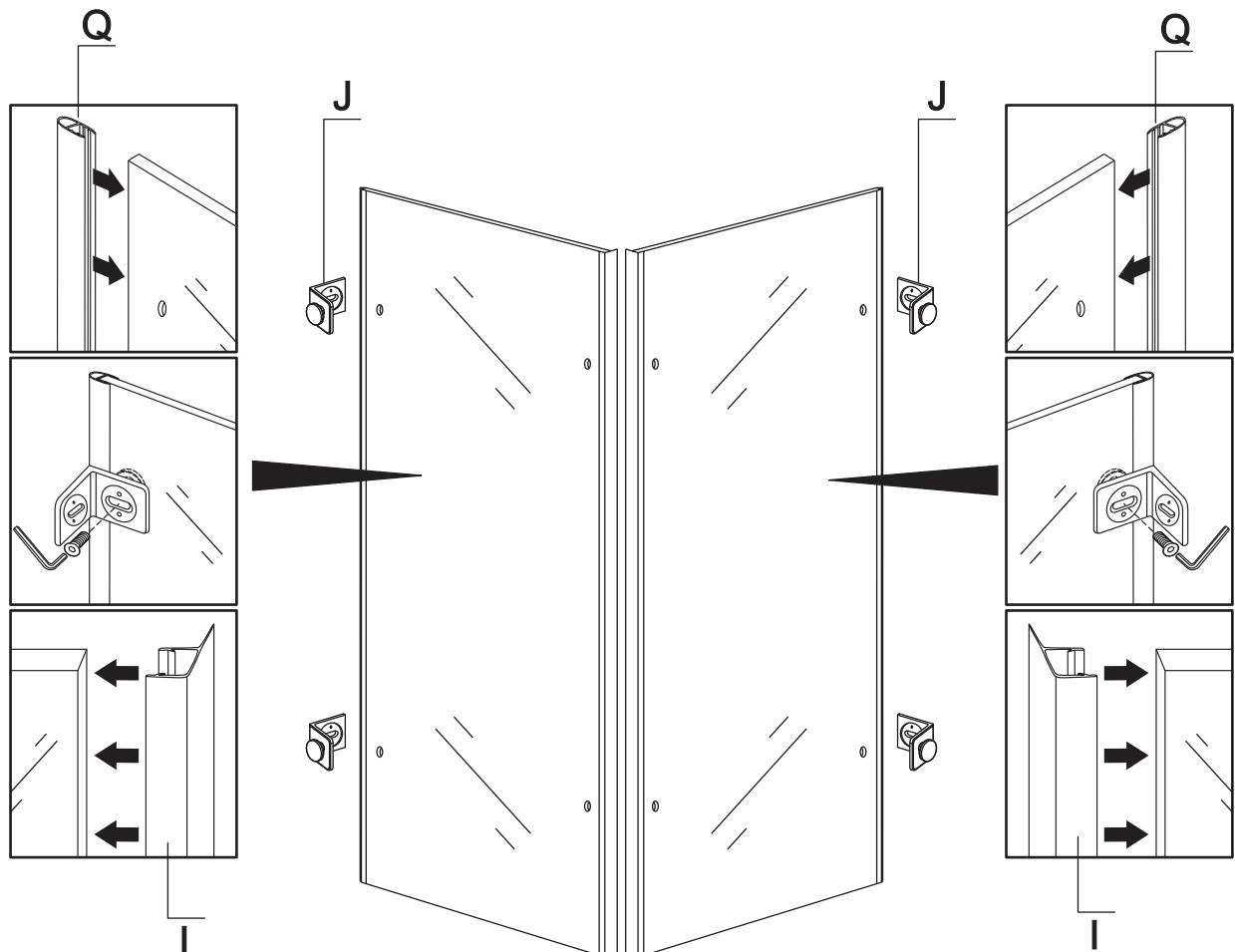


"Die Maßangaben gelten von Wand bis Mitte Bohrloch."

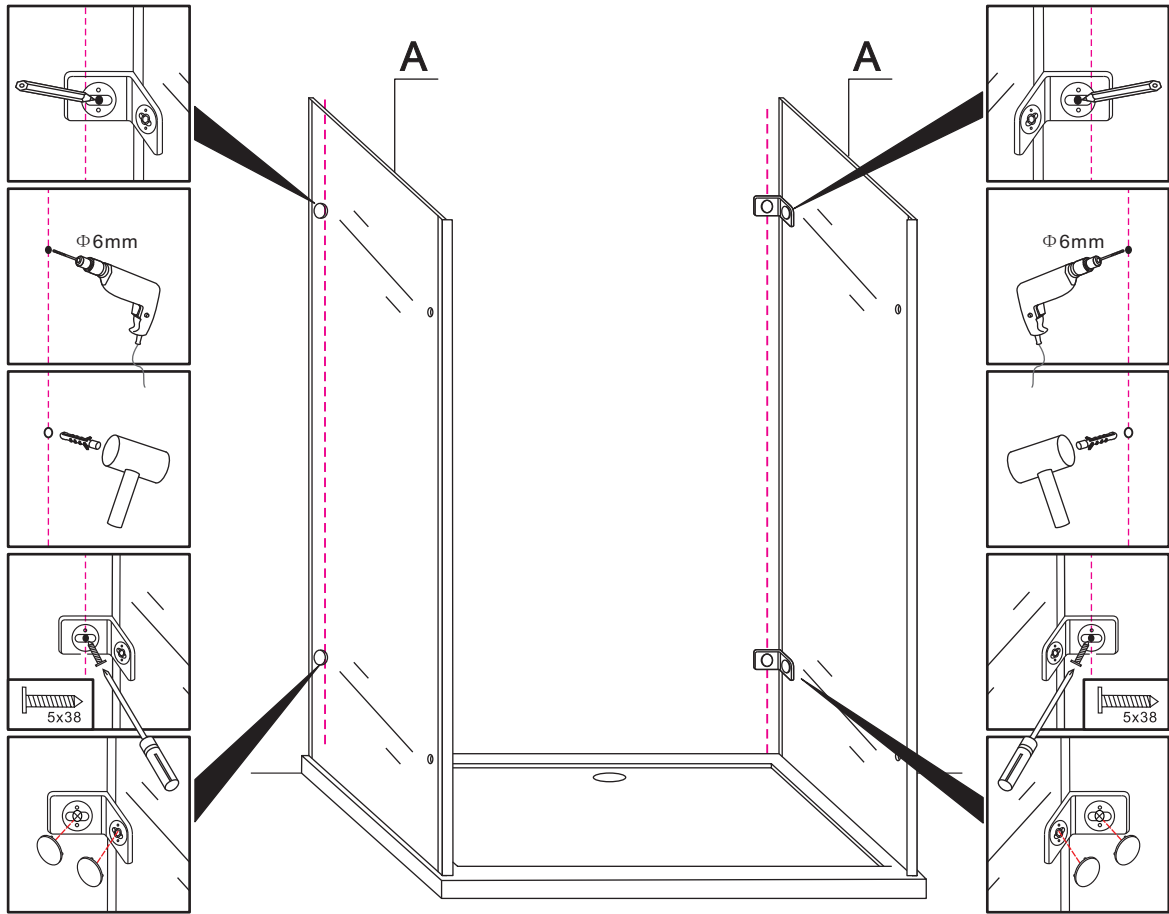
LA

| |
|-------------------|
| 800x1000---897mm |
| 800x1200---1097mm |
| 800x1400---1297mm |

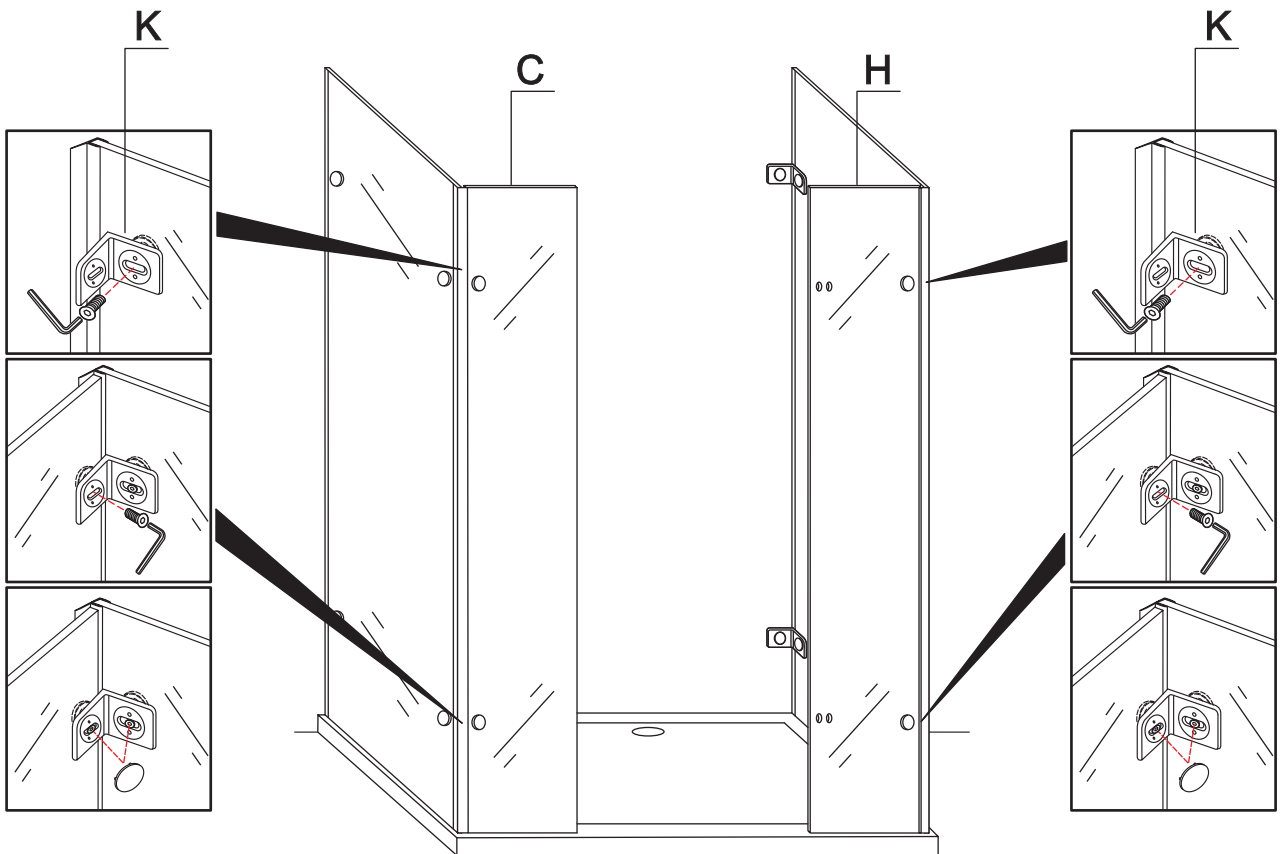
2



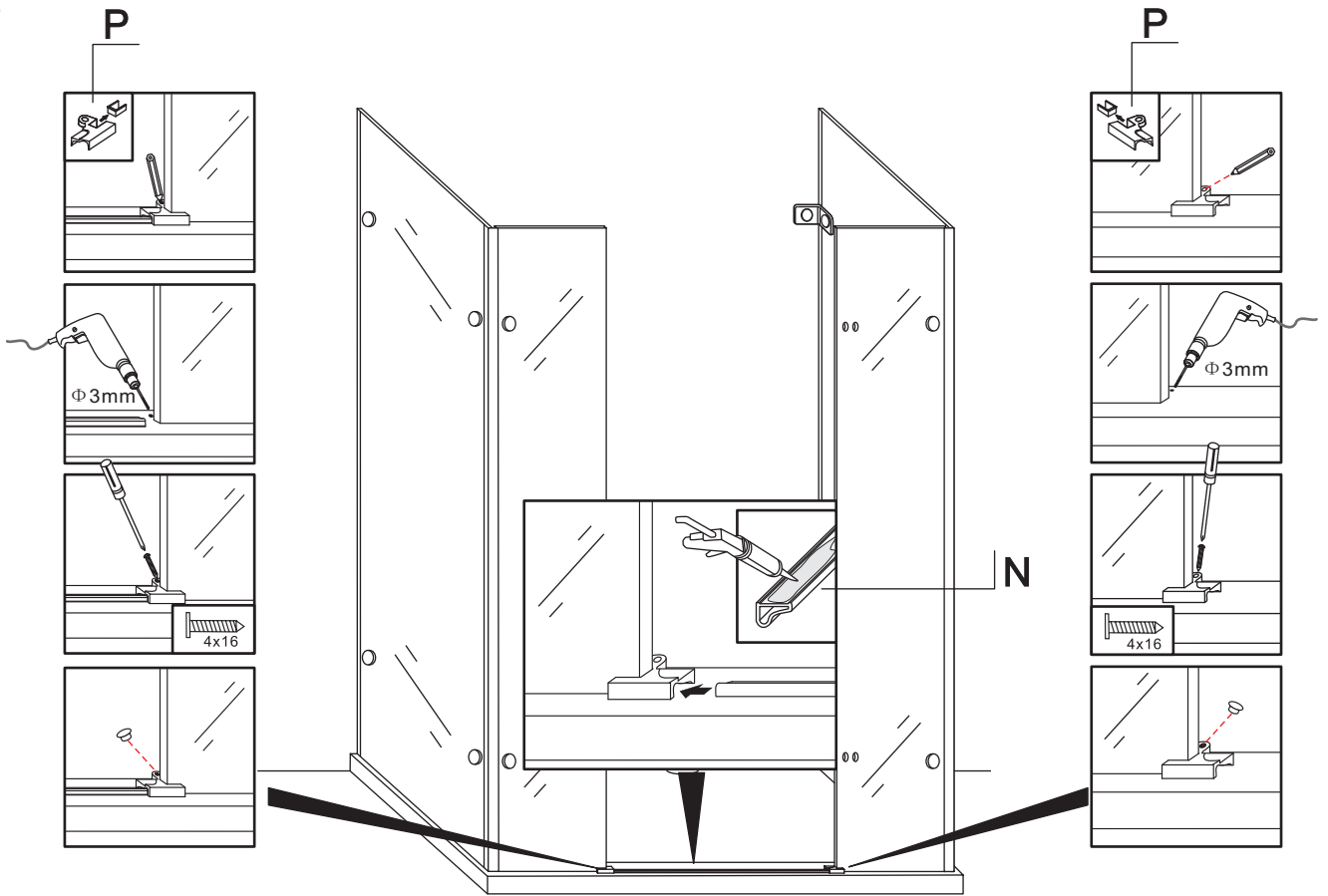
3



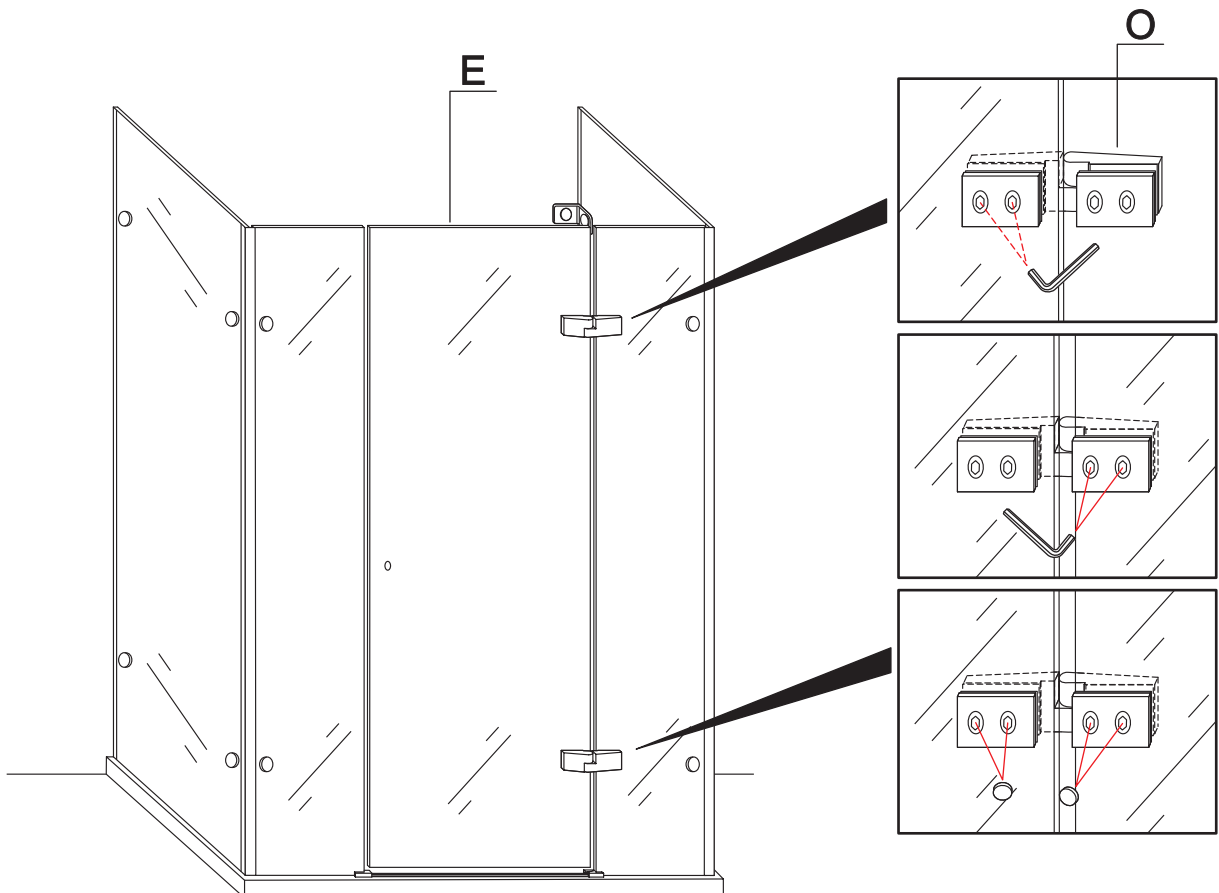
4



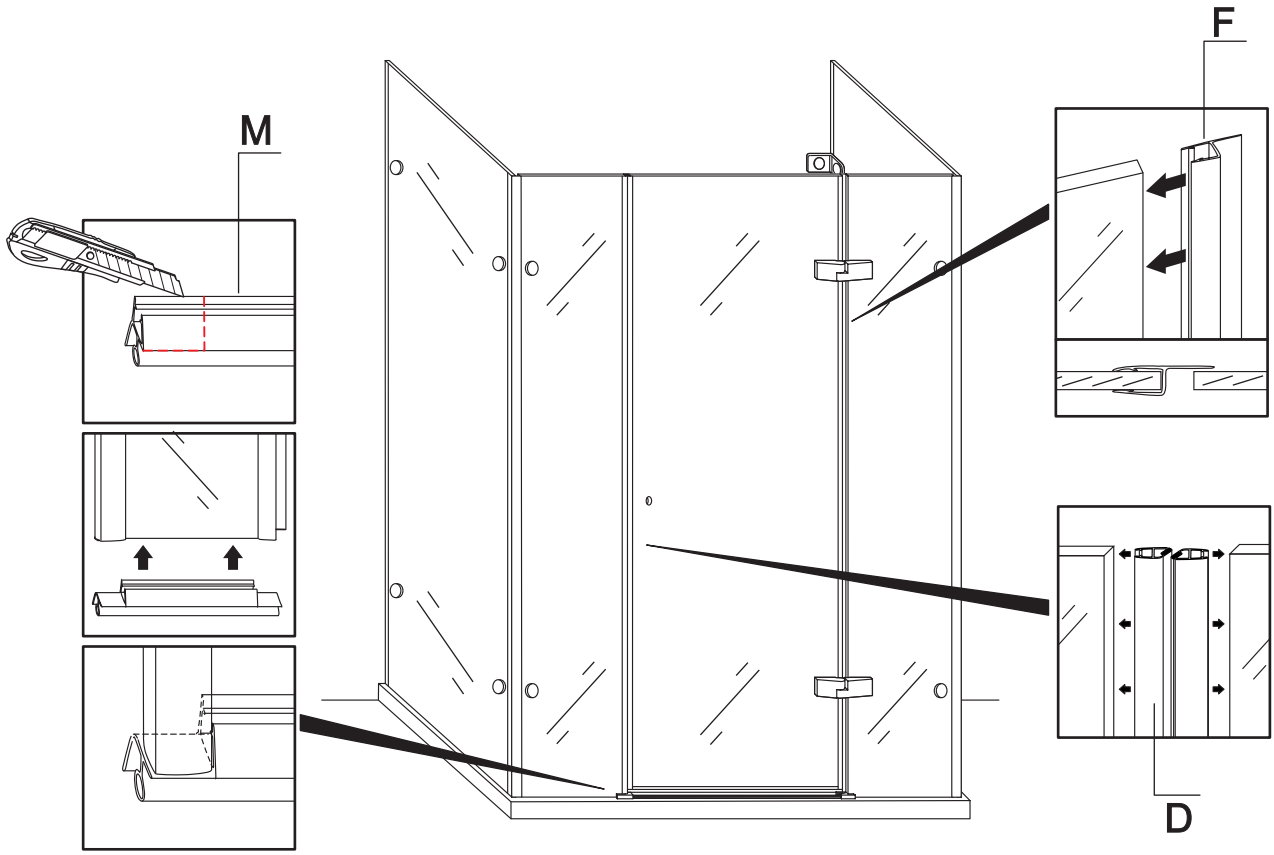
5



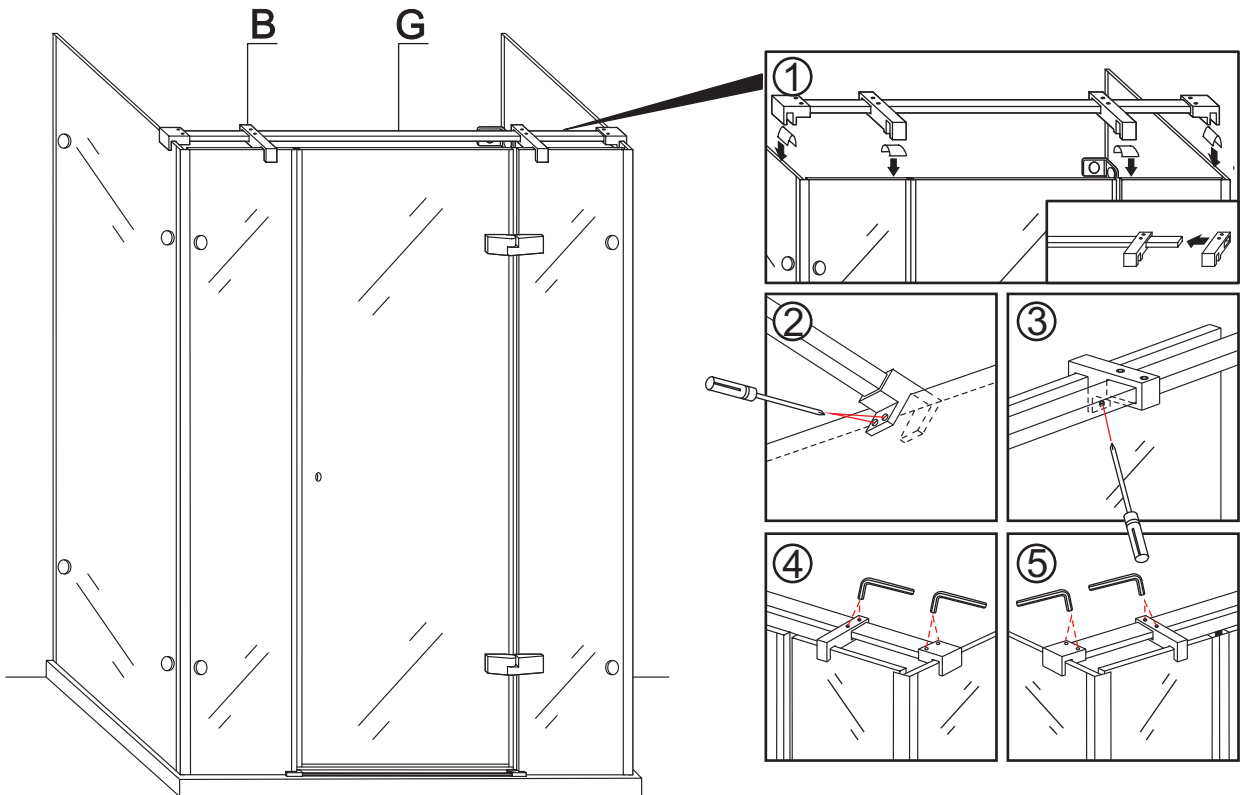
6



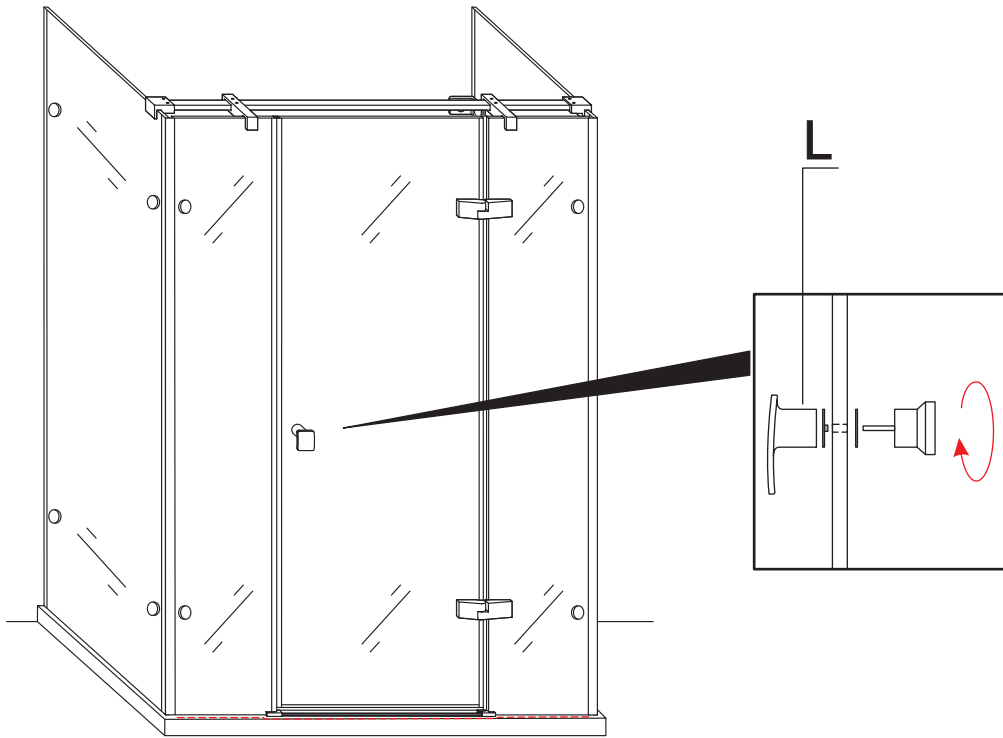
7



8



9



10

